

Aqua Control

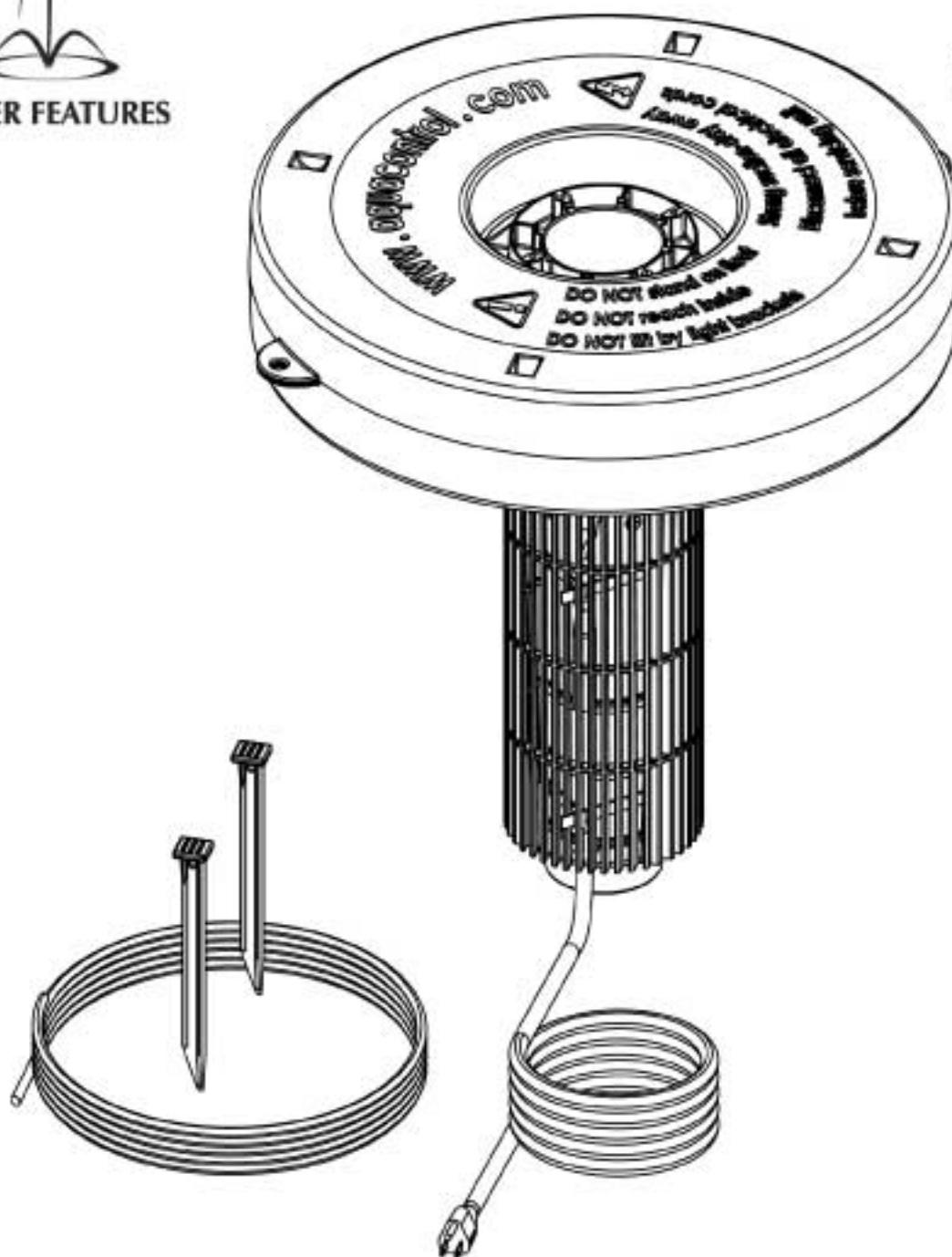


WATER FEATURES

OWNER'S MANUAL



AQUATIC
TECHNOLOGIES



Aquatic Technologies
41 Yazaki Way, Carrum Downs
Vic, Australia, 3201
P: 0409 180 707
www.aquatic.net.au

Evolution Series Fountain

1/2 hp, 60 Hz



SAFETY INSTRUCTIONS

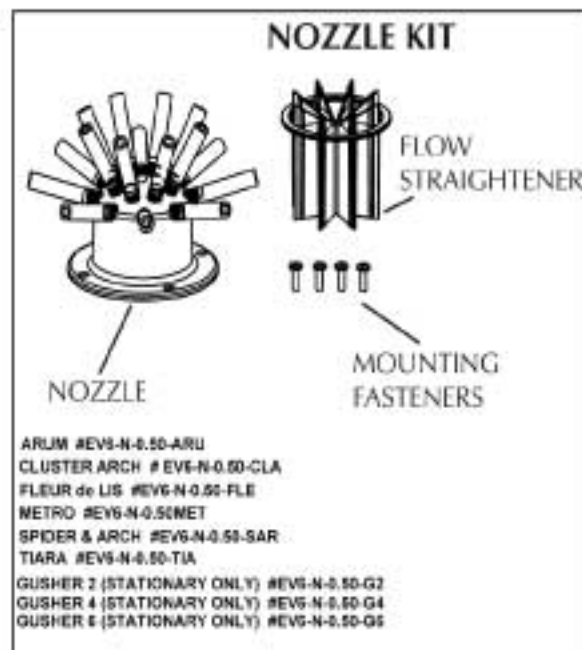
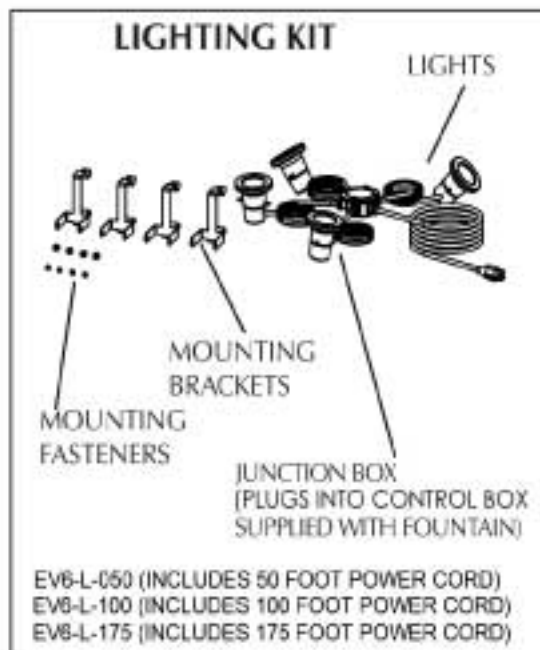
IMPORTANT: Reading and understanding these instructions and warranty disclaimer are necessary prior to product installation and operation.

- Under **NO** circumstances should anyone enter the water with the electrical equipment plugged in and/or in operation.
- **NEVER** run the unit out of water. It will damage the seals and create a dangerous situation for the operator.
- **NEVER** lift or drag the fountain by the power or light cord.
- The fountain suction screen should be inspected for clogging on a monthly basis. If matted weeds, leaves or plastic bags are present, remove them with a bristle brush. Failure to keep the suction screen clear of blockages will cause low water flow and cause the fountain motor to fail. This type of failure is **NOT** covered under the warranty.
- In freezing conditions, the fountain must be removed from the water body and stored in an area above 32°F.
- *Aqua Control, Inc. or its distributors are not liable for electrician's fees incurred for troubleshooting electrical issues.*

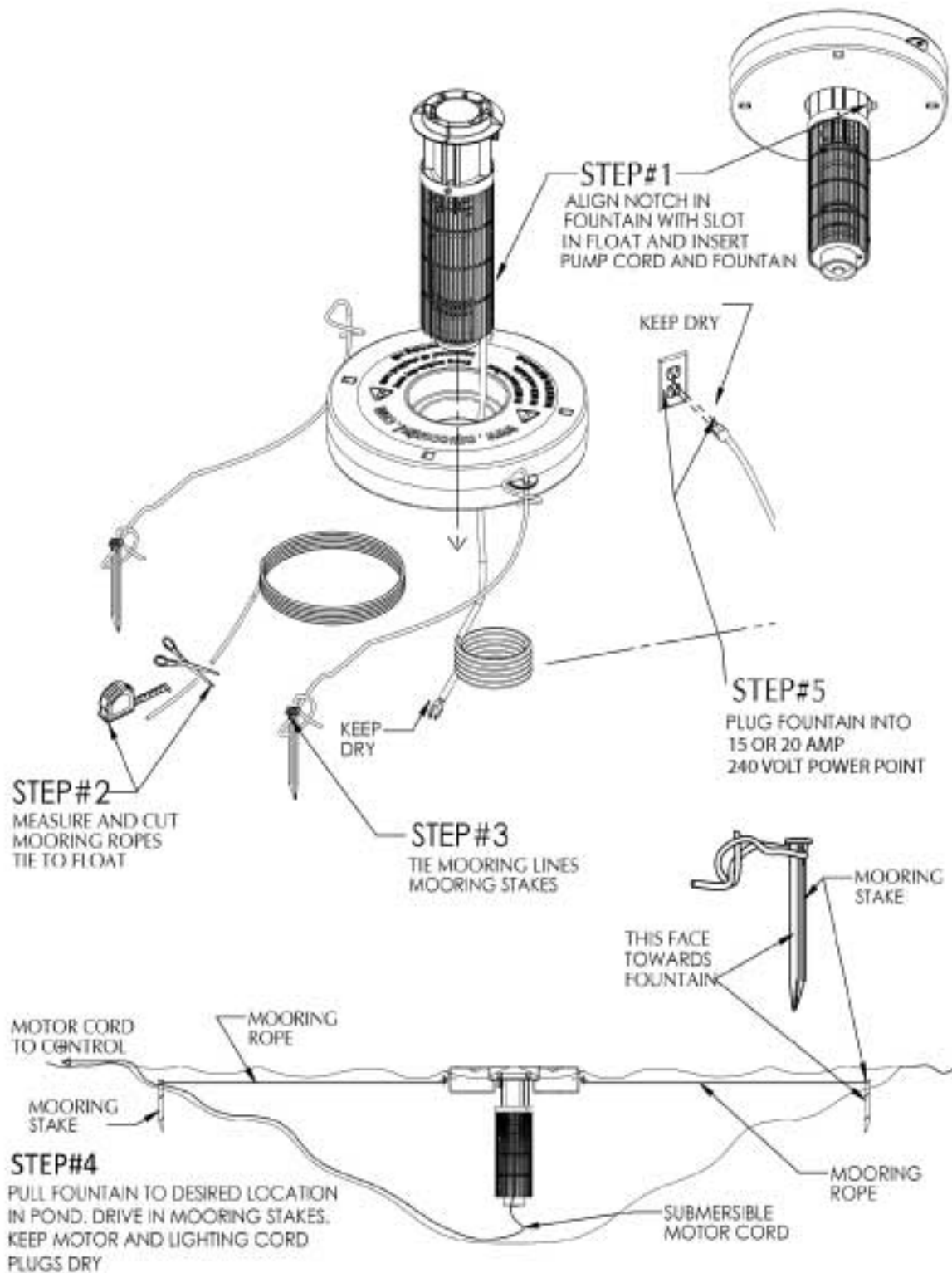
TABLE OF CONTENTS

Safety	2	Optional Lighting Parts List	6
Assembly & Start Up Instructions	3	Troubleshooting Guide	
Maintenance & Accessory Installation	4	Torrent Pattern Conversion	7
Evolution Parts List	5	Warranty Disclaimer	8

OPTIONAL ACCESSORIES



QUICK STARTUP INSTRUCTIONS

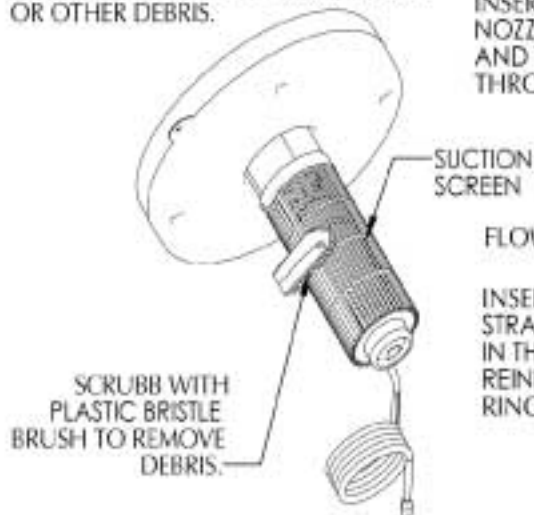


MAINTENANCE AND ACCESSORY INSTALLATION

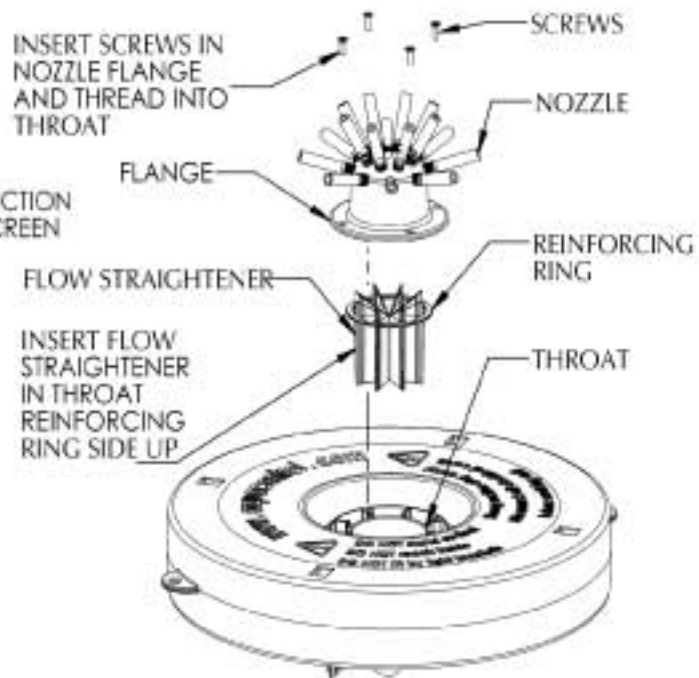
CAUTION!! BEFORE YOU BEGIN, DISCONNECT FROM POWER (UNPLUG FROM CONTROL)

PLUGGED SUCTION SCREEN

IF YOUR SUCTION SCREEN BECOMES PLUGGED BY POND WEEDS OR OTHER DEBRIS.

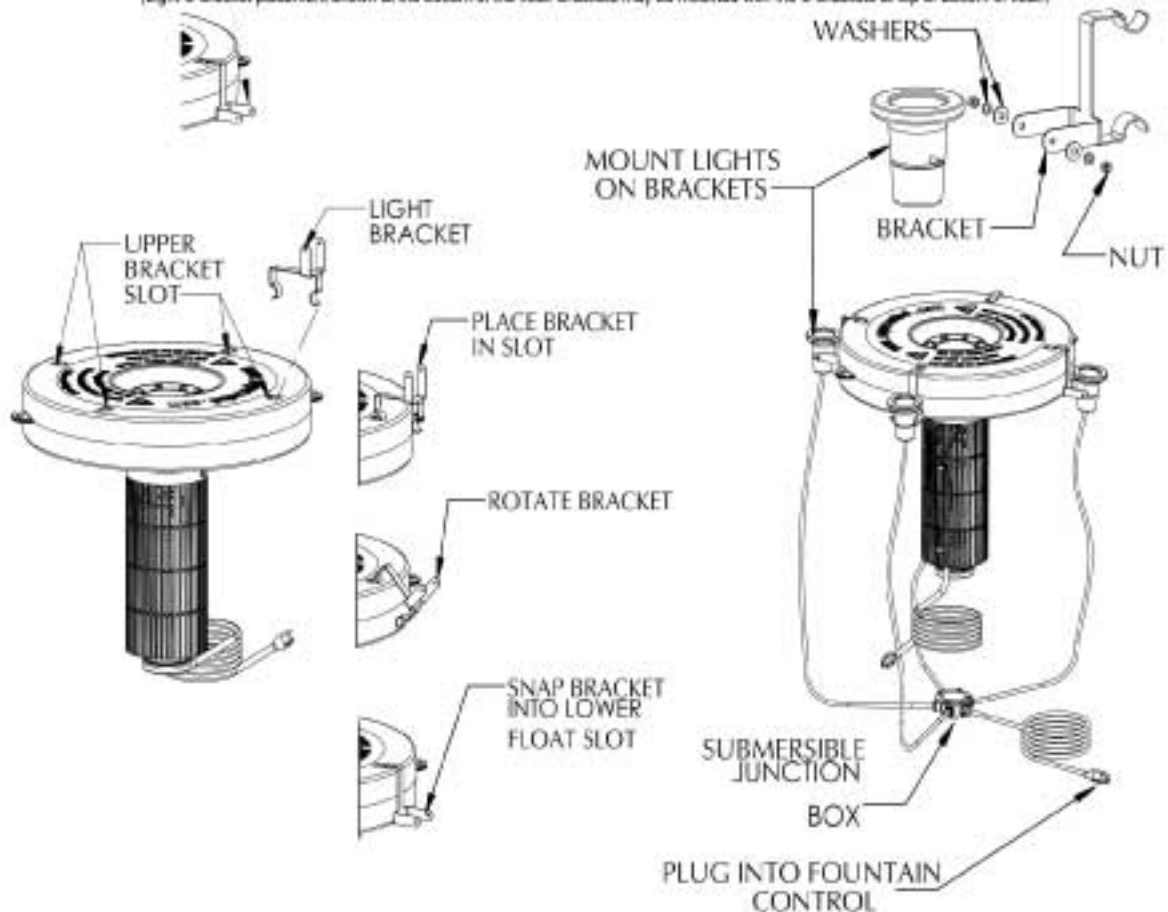


OPTIONAL NOZZLE INSTALLATION



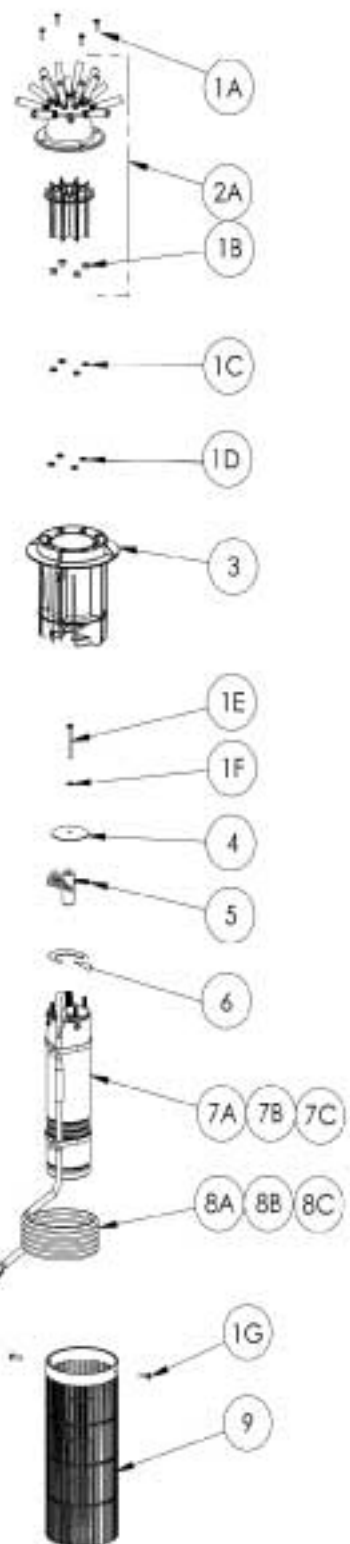
OPTIONAL LIGHT PACKAGE INSTALLATION

(Light U-bracket placement shown at the bottom of the float. Brackets may be mounted with the U-brackets at top or bottom of float.)



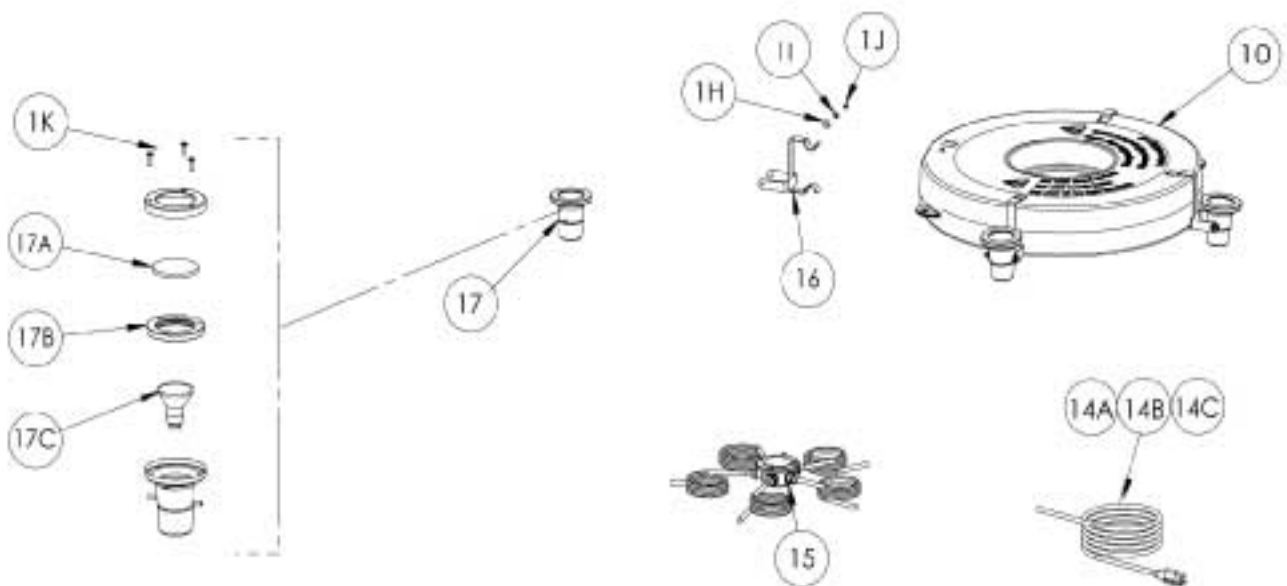
EVOLUTION PARTS LIST

ITEM#	PART#	DESCRIPTION	QTY
1	* EV-H-KIT	HARDWARE KIT (INCLUDES ITEMS 1A THRU 1K)	1
1A	EV-H-MSP-0.75	1/4-15 X 3/4 PAN HEAD HI-LOW SCREW	4
1B	EV-H-HN-8	8MM HEX NUT	4
1C	EV-H-LW-8	8MM LOCK WASHER	4
1D	EV-H-FW-8	8MM FLAT WASHER	4
1E	EV-H-HHB-2.50	1/4-20 X 2 1/2 HEX HEAD CAP SCREW	1
1F	EV-H-LW-0.25	1/4 LOCK WASHER	1
1G	EV-H-MSP-0.75	1/4-20 X 3/4 PAN HEAD MACHINE SCREW	2
*OPTIONAL LIGHTING HARDWARE (INCLUDED IN HARDWARE KIT)			
1H	* EV-H-FW-5	5MM FLAT WASHER	8
1I	* EV-H-LW-5	5MM LOCK WASHER	8
1J	* EV-H-NC-5	5MM ACORN NUT	8
1K	* EV-H-MSF-4X16	4MM X 16 FLAT HEAD MACHINE SCREW	3
NOZZLE KIT (INCLUDES NOZZLE, FLOW STRAIGHTENER & FASTENERS)			
2A	EV6-N-0.50-ARJ	1/2HP ARJUM NOZZLE KIT	-
2A	EV6-N-0.50-CLA	1/2HP CLUSTER ARCH NOZZLE KIT	-
2A	EV6-N-0.50-FLE	1/2HP FLEUR de LIS NOZZLE KIT	-
2A	EV6-N-0.50-MET	1/2HP METRO NOZZLE KIT	-
2A	EV6-N-0.50-SAR	1/2HP SPIDER & ARCH NOZZLE KIT	-
2A	EV6-N-0.50-TIA	1/2HP TIARA NOZZLE KIT	-
2A	* EV6-N-0.50-G2	1/2HP GUSHER 2 (STATIONARY ONLY)	-
2A	* EV6-N-0.50-G4	1/2HP GUSHER 4 (STATIONARY ONLY)	-
2A	* EV6-N-0.50-G6	1/2HP GUSHER 6 (STATIONARY ONLY)	-
3	EV-R-THROAT	EVOLUTION THROAT	1
4	EV-H-FW-PROP	PROPELLER WASHER	1
5	EV6-R-P-0.50	1/2HP PROPELLER	1
6	EV-R-SPACER	MOTOR SPACER	1
REPLACEMENT MOTOR OPTIONS			
7A	EV6-MA-0.50-050	1/2HP MOTOR WITH 50' CORD & MOLDED PLUG	1
7B	EV6-MA-0.50-100	1/2HP MOTOR WITH 100' CORD & MOLDED PLUG	1
7C	EV6-MA-0.50-175	1/2HP MOTOR WITH 175' CORD & MOLDED PLUG	1
MOTOR CORD OPTIONS (INCLUDES MOTOR CORD, MOLDED PLUG)			
8A	EV6-R-MC-050-F	50' MOTOR CORD	1
8B	EV6-R-MC-100-F	100' MOTOR CORD	1
8C	EV6-R-MC-175-F	175' MOTOR CORD	1
9	EV-R-SCREEN	EVOLUTION SUCTION SCREEN	1
10	EV-R-FLOAT	EVOLUTION FLOAT	1
11	EV-R-ANCHOR	EVOLUTION MOORING STAKES	2
12	EV-R-ROPE	100' BALCK MORRING ROPE	1



OPTIONAL LIGHTING PARTS

ITEM#	PART#	DESCRIPTION	QTY
LIGHT CORD OPTIONS (INCLUDES SPLICE KIT & MOLDED PLUG)			
14A	EV6-R-LC-050	50' LIGHT CORD	1
14B	EV6-R-LC-100	100' LIGHT CORD	1
14C	EV6-R-LC-175	175' LIGHT CORD	1
15	EV-R-LJB-4	LIGHT JUNCTION BOX WITH 6' CORD & SPLICE KIT	1
16	EV-R-LGT-BKT	EVOLUTION LIGHT BRACKET	4
17	EV-A-RL	EVOLUTION LIGHT REPAIR ASSEMBLY	4
OPTIONAL LIGHT FIXTURE COMPONENTS			
17A	EV-R-LENS	EVOLUTION CLEAR LENS FOR LIGHT	4
17B	EV-R-GASKET	EVOLUTION LIGHT GASKET	4
17C	EV6-R-BLB-BLU	BLUE LED LAMP	4
17C	EV6-R-BLB-WHC	COOL WHITE LED LAMP	4
17C	EV6-R-BLB-WHW	WARM WHITE LED LAMP	4
17C	EV6-R-BLB-YEL	YELLOW LED LAMP	4
17C	EV6-R-BLB-GRE	GREEN LED LAMP	4
17C	EV6-R-BLB-RED	RED LED LAMP	4



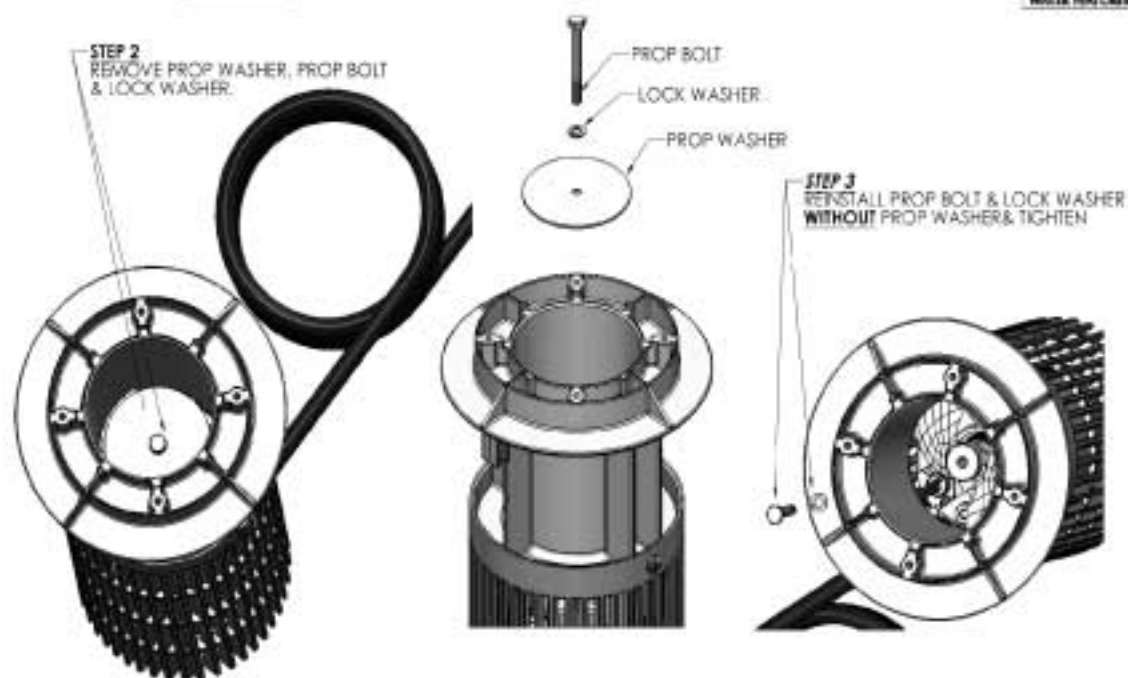
EVOLUTION SERIES FOUNTAIN TROUBLESHOOTING GUIDE

Trouble	Check	Possible solutions
Fountain does not work or starts then stops	Not plugged in	Cord must be plugged into a 3-wire outlet that is protected by a Ground Fault Circuit Interrupter (GFCI) or the supplied motor control box.
	GFCI tripped	Reset GFCI. If GFCI will not reset or trips immediately, unplug pump and lights and reset GFCI. If GFCI will not reset, there may be a problem with the motor control box or the incoming power. If the GFCI resets, plug the pump in to the motor control box. If the GFCI trips, there may be a problem with the pump cord. If the GFCI holds, plug into the optional lights. If the GFCI trips, there may be a problem with the lights. Contact Aqua Control Technical Support to troubleshoot lights or pump.
	GFCI not tripped, not running	Disconnect power. Check propeller for obstruction. These motors have internal overloads. If the propeller is jammed, the internal overload may trip. This overload may require up to 10 minutes to cool down and reset. If the motor does not restart, there may be other motor problems. Contact Aqua Control Technical Support to troubleshoot the pump.
Fountain spray pattern is smaller	Fountain intake clogged	Disconnect power, check suction screen for obstruction and remove debris.
	Nozzle clogged	Disconnect power, remove nozzle and check for obstruction and remove debris.

CONVERTING YOUR EVOLUTION SERIES FOUNTAIN TO A TORRENT PATTERN



STEP 1
DISCONNECT UNIT FROM POWER.





AQUATIC
TECHNOLOGIES

AQUA CONTROL

Evolution Series Fountain

Limited Warranty

Aqua Control, Inc. warrants to the original purchaser (end user) of any Evolution Series Fountain manufactured by Aqua Control, Inc. that any part thereof which proves to be defective in materials or workmanship, as determined by the factory within two years from the purchase date, will be repaired or replaced at no charge with a new or remanufactured part, and returned freight prepaid. The end user shall assume all the responsibility and expense for removal, packaging, and freight to ship to Aqua Control to determine the warranty claim and for all reinstallation expenses.

The warranty is void in cases where damage results from: improper installation, operation with no flow, continued operation with only partial flow, continued operation with obstructions that result in pump cavitation (noisy operation), improper electrical connection, improper voltage, alteration, lightning, careless handling, misuse, abuse, freezing, disassembly of motor, or failure to follow maintenance or operating instructions. Modification or repair by an unauthorized repair facility will void the warranty.

In no case will Aqua Control or its distributors accept responsibility for any costs incurred by the user during installation, removal, inspection, evaluation, repair, parts replacement, or for return freight. Nor will any liability be accepted for loss of use, loss of profits, loss of goodwill, for consequential damage, or for personal injuries to the purchaser or any person.

In the event of problems believed to be covered under warranty, it will be necessary to notify the distributor who will try to help resolve the problem and who may contact the factory for additional assistance. If it is concluded that there may be a defect which may be covered under warranty, it will be necessary to get a Return Material Authorization (RMA) from the distributor before shipment. Freight collect shipments will not be accepted by the factory on warranties or repairs.

The product or part(s) must be returned freight prepaid, to the factory, as directed, and in its original packaging or in a container which will prevent damage. Parts returned under warranty and damaged during shipping will not be covered under warranty for the shipping damage.

If the factory evaluation of the returned goods concludes that the failure is due to defects in materials or workmanship, the part or parts in question will be replaced under warranty with new parts, remanufactured parts, or will be repaired at the factory's option. The warranty period for all parts supplied under warranty will terminate at the end of the original product's warranty. All warranty shipments from the factory will be shipped freight prepaid.

Warranty registration is HIGHLY recommended.

No implied warranties of any kind are made by Aqua Control, Inc. for its products, and no other warranties, whether expressed or implied, including implied warranties of merchantability and fitness for a particular purpose, shall apply. Should an Aqua Control product prove to be defective in materials or workmanship, the retail purchaser's sole remedy shall be repair or replacement of the product as expressly provided above.

Aquatic Technologies
41 Yazaki Way, Carrum Downs
Vic, Australia, 3201
P: 0409 180 707
www.aquatic.net.au